

Lattoflex 300

Replacement spring elements

suitable for all Lattoflex 300 spring base systems
from March 2013



Spring element Lattoflex 300



Spring element Lattoflex 300 Plus

Operating instructions

Important document. Please keep in a safe place.

Digital operating instructions and video:



lattoflex[®]

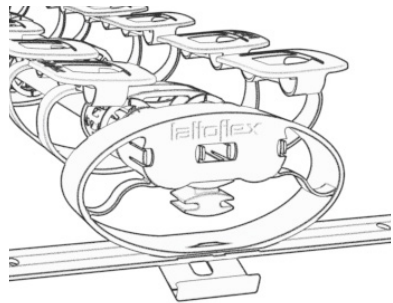
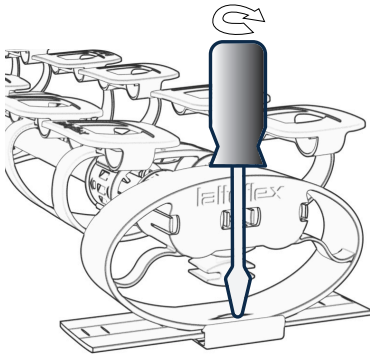
Replacement spring elements

With a single spring element as a spare part, you can replace defective parts or switch from a normal spring element to a spring element with body adaption system (KAS). The replacement can usually be carried out directly in the bed after removing the mattress.

Note: When changing to body adaption spring elements (KAS), please always replace both spring elements of a double section.

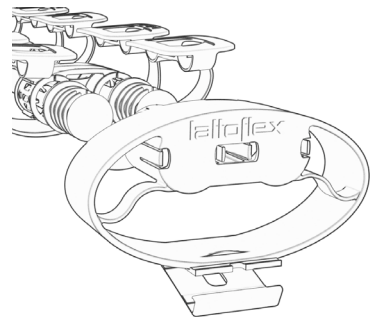
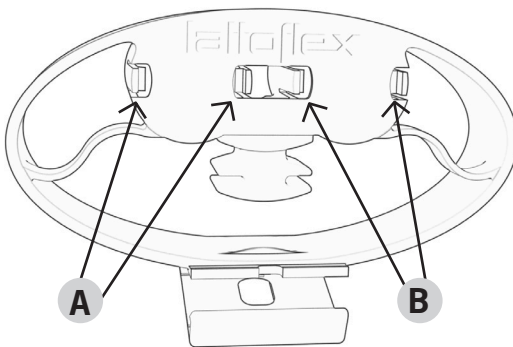
Dismantling double section

1. Insert the screwdriver firmly into the slot and turn through 90°.
2. Open the clamp by hand and remove the spring element from the mounting profile. Repeat this process on the other side of the bed.



3. Release the four snap-in hooks on the orange profile adapters.

Tip: First release two snap-in hooks on one side with your thumbs (A) and tilt the spring element with a slight pull, then release the other two snap-in hooks (B) and pull off the spring element.



Install new spring element

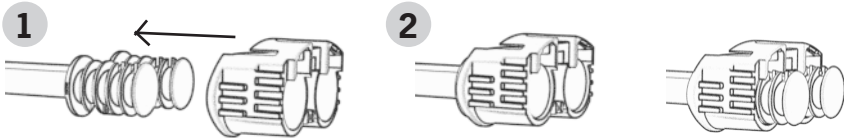
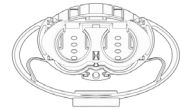
Lattoflex 300 and Lattoflex 300 XL

Push on the new spring element until it clicks into place and all four snap-in hooks are snapped in.

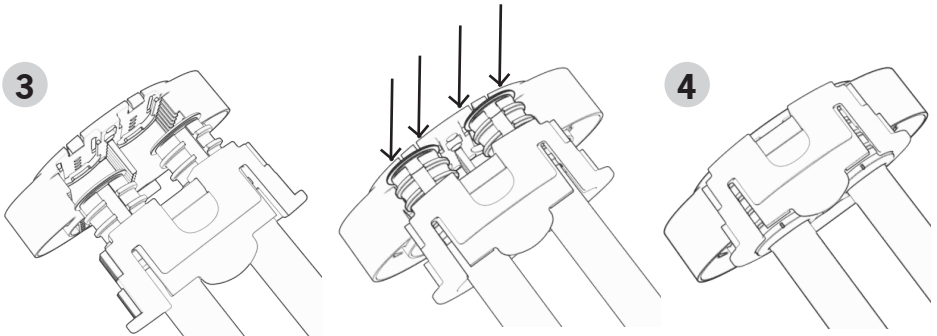


Only for Lattoflex 300 Plus

1. Slide the double bearing onto the orange profile adapter.
2. Lift the snap-in hook. Push the double bearing further inwards.



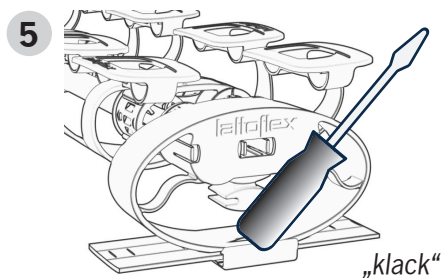
3. Slide the spring element ellipse onto the crowns of the profile adapter from below. Adjust the height.
4. Slide the double bearing outwards to fix the set height. See reverse side.



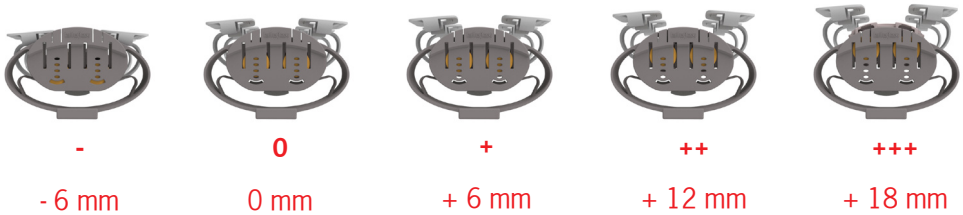
Place the double section on the mounting profile

5. Carefully bend open the clamp and fix the spring element in the drill hole. Then close the clamp.

Tip: Press firmly from above with a tool.



Lattoflex 300 Plus (KAS):
The individual adjustment levels at a glance



Scope of delivery

Lattoflex 300		Set	
Spring element 300	1 Piece	10 Piece	
Spring block 2	1 Piece	10 Piece	

Lattoflex 300 Plus (KAS)		Set	
Ellipse spring element 300 Plus	1 Piece	10 Piece	
Double bearing	1 Piece	10 Piece	
Spring block 1	1 Piece	10 Piece	

Important for “XL”:

For a slat base with the “XL” option, please always keep the matching spring blocks (rubber buffers) from the initial delivery and reinsert them in the new spring elements.

Thomas GmbH+Co. Sitz- und Liegemöbel KG · Walkmuehlenstrasse 93 · D-27432 Bremervoerde
 Phone + 49 (0) 4761/979-0 · Fax + 49 (0) 4761/979-161 · E-Mail: info@lattoflex.com

www.lattoflex.com