

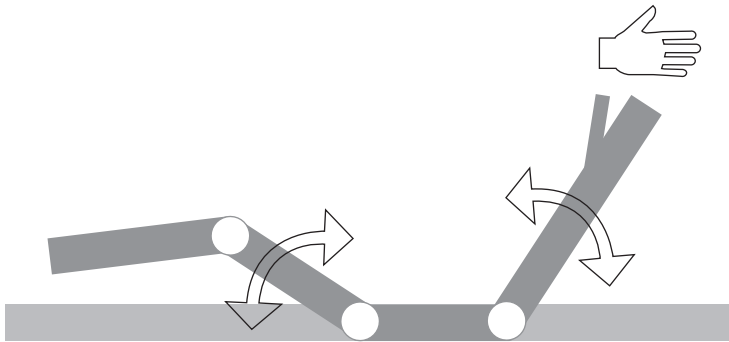
Motor frames



Lattoflex Flat motor

Lattoflex 282-FM/382-FM/982-FM

2-Motorers



Installation and operating instructions

Important document. Please keep in a safe place.

Here you can find more information, details and videos about your product. Digital operating instructions:



www.lattoflex.com/service/x82fm

lattoflex[®]

Installation and operation

1 Placing in a bed

Insert your motor frame into the existing bed frame. We recommend side support slats with a width of at least 2.5 cm (centre frame min. 5 cm). The motor frame does not require any installation space at the bottom, but must always fit into the bed without tension.

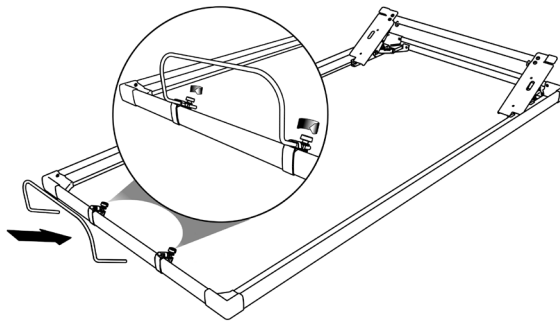
Please always heed the spacing of the back part with its motorised adjustment, to the head part of the bed. There should be spacing of at least 1.5 cm here when the bed is laid flat.

Anti-slip film

Attach to the support points of the frame in the bedstead. The foils prevent noises that can be caused by slipping of the frames in the bedstead..

2 Mattress holder

Attach the supplied holder at the foot end. The plastic clamps are premounted.



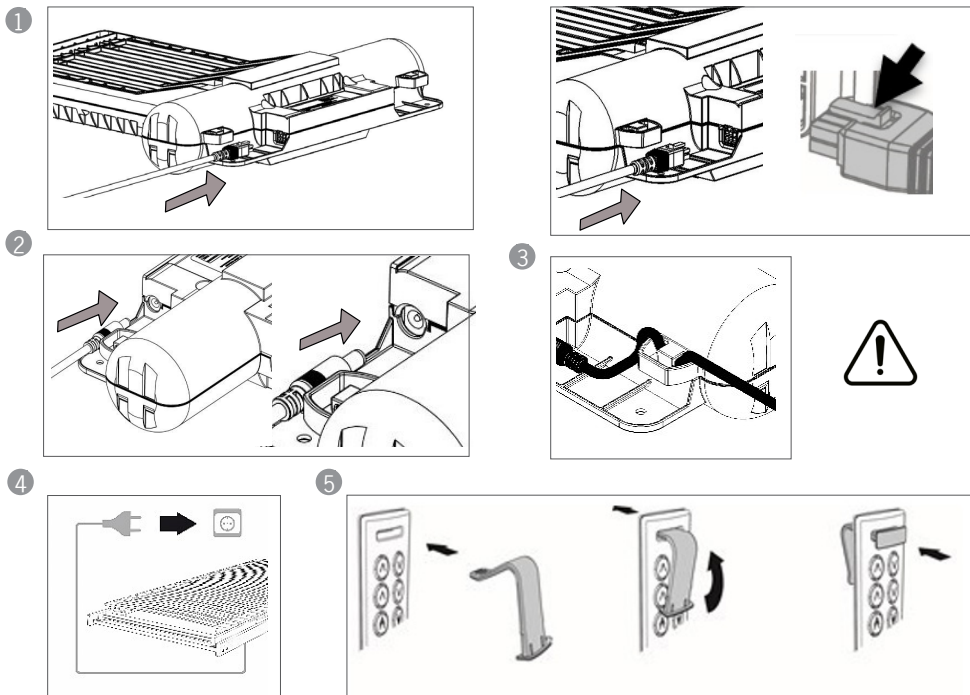
3 Commissioning with cable remote control

Please proceed as follows to commission your motor frame:

- Transport protection: Remove velcro straps.
- Fold up the foot section of the frame, access the connection accessories in 2 boxes to the left and right of the motor.
- Unpack the cable remote control and the power supply unit.
- Connect the plug of the cable remote control to the plug socket on the left side of the motor. ① Guide the cable through the strain relief. ③

⚠ **Failure to use the strain relief can result in damage to the cable remote control or power supply unit!**

- Connect the power supply unit to the motor on the right-hand side ② and guide the cable through the strain relief. ③
- Connect the power supply unit to the power source.
- Mount the hook on the cable remote control, this is pushed through a through hole in the upper area of the switch with light pressure. ⑤
- Adjust motor frame by cable remote control.



4 Commissioning with radio remote control

Please proceed as follows to commission your motor frame:

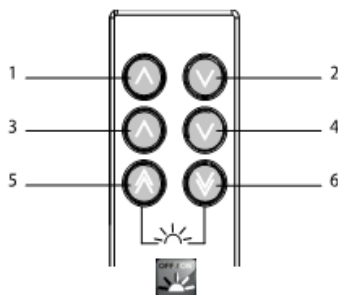
- a Transport protection: Remove velcro straps.
- b Fold up the foot section of the frame, access the connection accessories in 2 boxes to the left and right of the motor.
- c Unpack the radio remote control with receiver and power supply unit. Remove the contact fuse from the battery compartment.
- d Connect the plug of the radio receiver to the plug socket on the left side of the motor. ①
- e Connect the power supply unit to the motor on the right-hand side ② and guide the cable through the strain relief. ③
- f Connect the power supply unit to the power source. ④
- g The remote control and receiver are already connected on delivery. In the event of a malfunction, you will find help on the service page.
- h Adjust the motorised frame by radio remote control.

In addition, the installed receiver is compatible with control via app.
Name of the app: OCTO Smart Control.

You can find more information at www.lattoflex.com/service/x82fm

5 Make settings

- 1 Back adjustment upwards
- 2 Back adjustment downwards
- 3 Leg adjustment upwards
- 4 Leg adjustment downwards
- 5 All drives up at the same time
- 6 All drives down simultaneously



Use the keys 1 to 6. As long as you press a key, the corresponding corresponding drive is moved.



With radio remote control, switch the night light in the receiver on or off by pressing buttons 5 and 6 simultaneously.



6 Battery change

Have two new AA batteries ready. Remove the discharged batteries and insert the new batteries correctly. Pay attention to + and -, see marking on the housing.

7 Safety instructions

Do not step on the frame when operating and in the raised position. The frame is designed in such a way that there is normally no risk of pinching or crushing when it is operated. Nevertheless, make sure that no persons, especially children, are under the frame or reach into the mechanism when the frame is operated. Lattoflex 282-FM/382-FM/982-FM are insert frames for bedsteads. The use is only intended according to the specifications of these instructions and only for domestic use.

Never pinch the cables or bowden cables, lay them with sharp edges or squeeze them through moving frame parts. Only replace damaged connection lines with original parts. Risk of damage by shortening the support spars or by dismantling fittings.

Thomas GmbH+Co. Sitz- und Liegemöbel KG · Walkmühlenstr. 93 · D-27432 Bremervoerde
Phone. + 49 (0) 4761/979-0 · Fax + 49 (0) 4761/979-161 · E-Mail: info@lattoflex.com

www.lattoflex.com