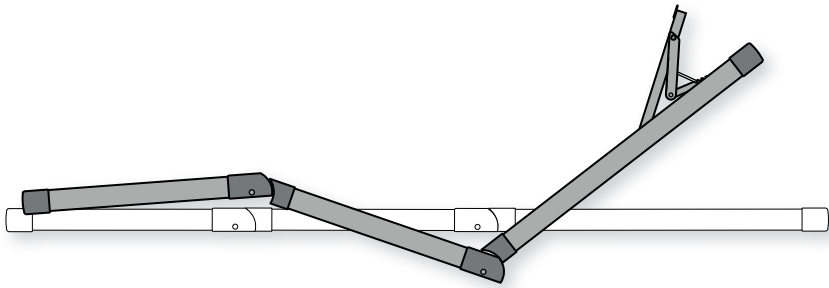


Sitting frames

Lattoflex 270

Lattoflex 370

Lattoflex 970



Installation and operating instructions

Important document. Please keep in a safe place.

Here you can find more information, details and videos about your product. Digital operating instructions:



www.lattoflex.com/service/x70

lattoflex

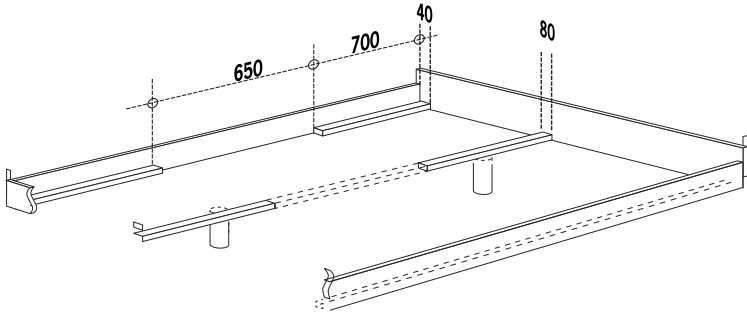
Installation and operation

1

Placing in a bed

The longitudinal supporting beams must not be wider than 4 cm (middle frame 8 cm). Due to the lowering of the frame in the pelvic region for the sitting position, the supporting beams have to be removed in the middle section, starting approx. 70 cm from the head over a length of 65 cm. The middle frame has to be interrupted to the same extent.

If necessary, please use the special installation kit x70 (available as accessory). In beds with triangular sup-ports (leg length max. 15 cm), please use the „Extension elements“ installation kit (available as accessory).



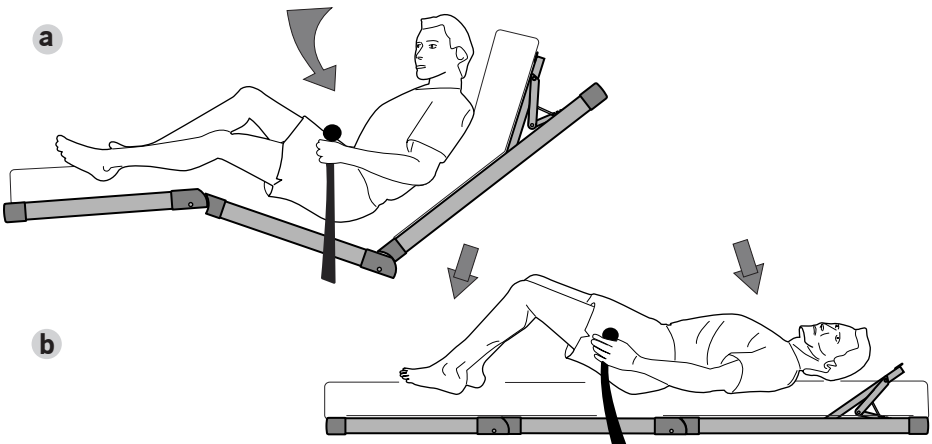
2

Fully variable sitting adjustment

a Sitting: holding the draw belt, press your hips down and raise your upper body. Release the draw belt on reaching the required sitting position.

b Lying: holding the draw belt, slowly stretch your body down into the flat position. Release the draw belt. It is easier to flatten the frame if you keep your knees bent, adjusting your weight to your heels and upper body. The adjustment works well with a corresponding Lattoflex mattress.

In the lying position, a snapping mechanism secures the back section at the head end. The draw belt releases both the lock and the pneumatic spring at the same time.

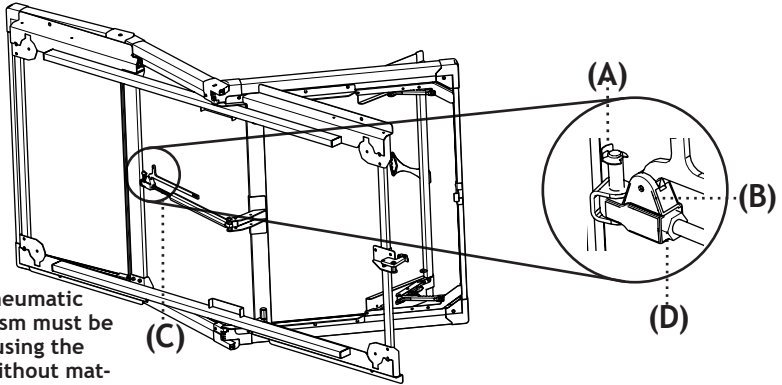


3 Moving the draw belt to the other side

Moving the draw belt to the other side This work should only be carried out by qualified specialists. Risk of injury!



Pull the snap ring off the bolt (A) behind the lever (B) that releases the pneumatic spring (C) and push the bolt out of its guide. Turn the trigger handle carefully through 180° clockwise, making sure that the pneumatic spring is not triggered. The nut (D) behind the trigger handle must hold firmly. Put the bolt and snap ring back in position again. Defective pneumatic springs may only be replaced by qualified specialists.



Caution: the pneumatic spring mechanism must be secured when using the sitting frame without mattress or during transport.

4 Locking mechanism: adjusting the snap hook and spring hook

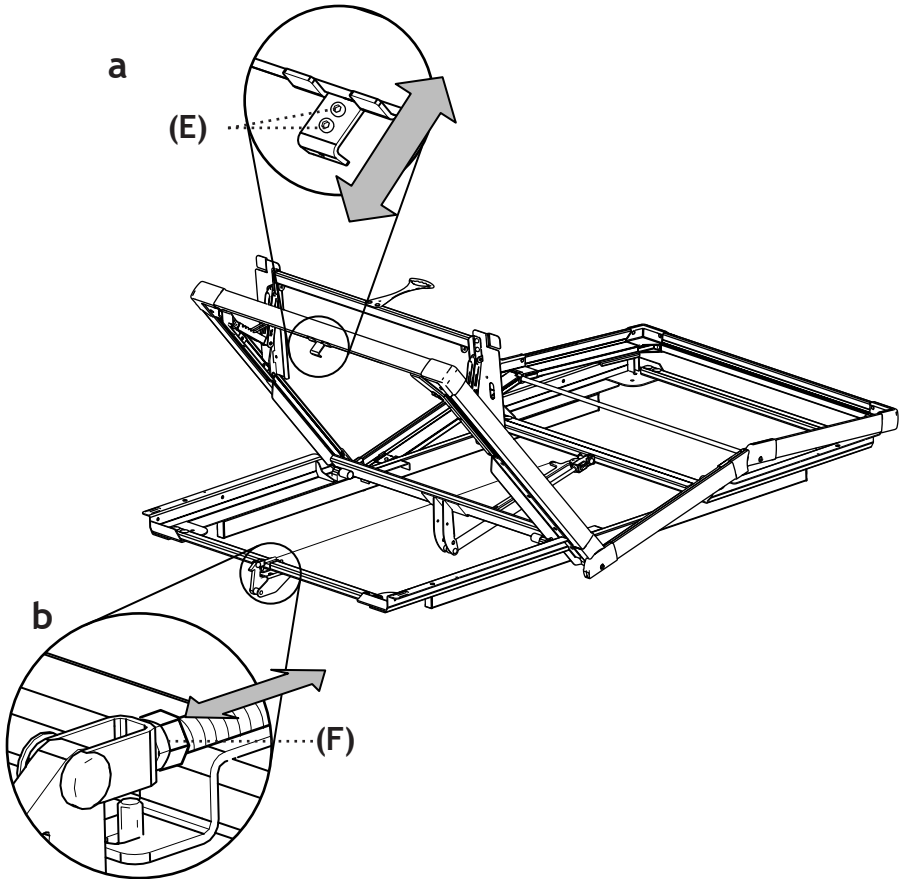
Depending on the installation situation or after a certain period of use, it may be necessary to adjust the locking mechanism at the head end.

a If it takes great pressure to make the locking mechanism engage on the back section, adjust the fixed snap hook in a longer setting. To do so, put the frame in sitting position. Raise the head adjustment. Use an SW5 hex socket spring to loosen both screws (E) on the snap hook. Adjust the snap hook and tighten the screws again. Check the function and readjust if necessary.

b If the spring hook does not engage far enough on the snap hook: loosen the lock nut (F) on the pull-wire. Unscrew the thread-ded pin for a few turns (this lengthens the wire). Tighten the lock nut again. Check the function and readjust if necessary.

See sketch on the back!

4 Locking mechanism: adjusting the snap hook and spring hook



Safety instructions

There is no risk of getting crushed or clamped when used for its proper purpose. When moving the frame, make sure that no-one and in particular no children are under the frame or reach into the mechanism. Do not climb onto the frame when it is being moved and when in raised position. The pneumatic spring mechanism must be secured when using the sitting frame without mattress or during transport.

Thomas GmbH+Co. Sitz- und Liegemoebel KG · Walkmuehlenstr. 93 · D-27432 Bremervoerde
Phone + 49 (0) 4761/979-0 · Fax + 49 (0) 4761/979-161 · E-Mail: info@lattoflex.com

www.lattoflex.com